

# MOL 540 OIL BURNER

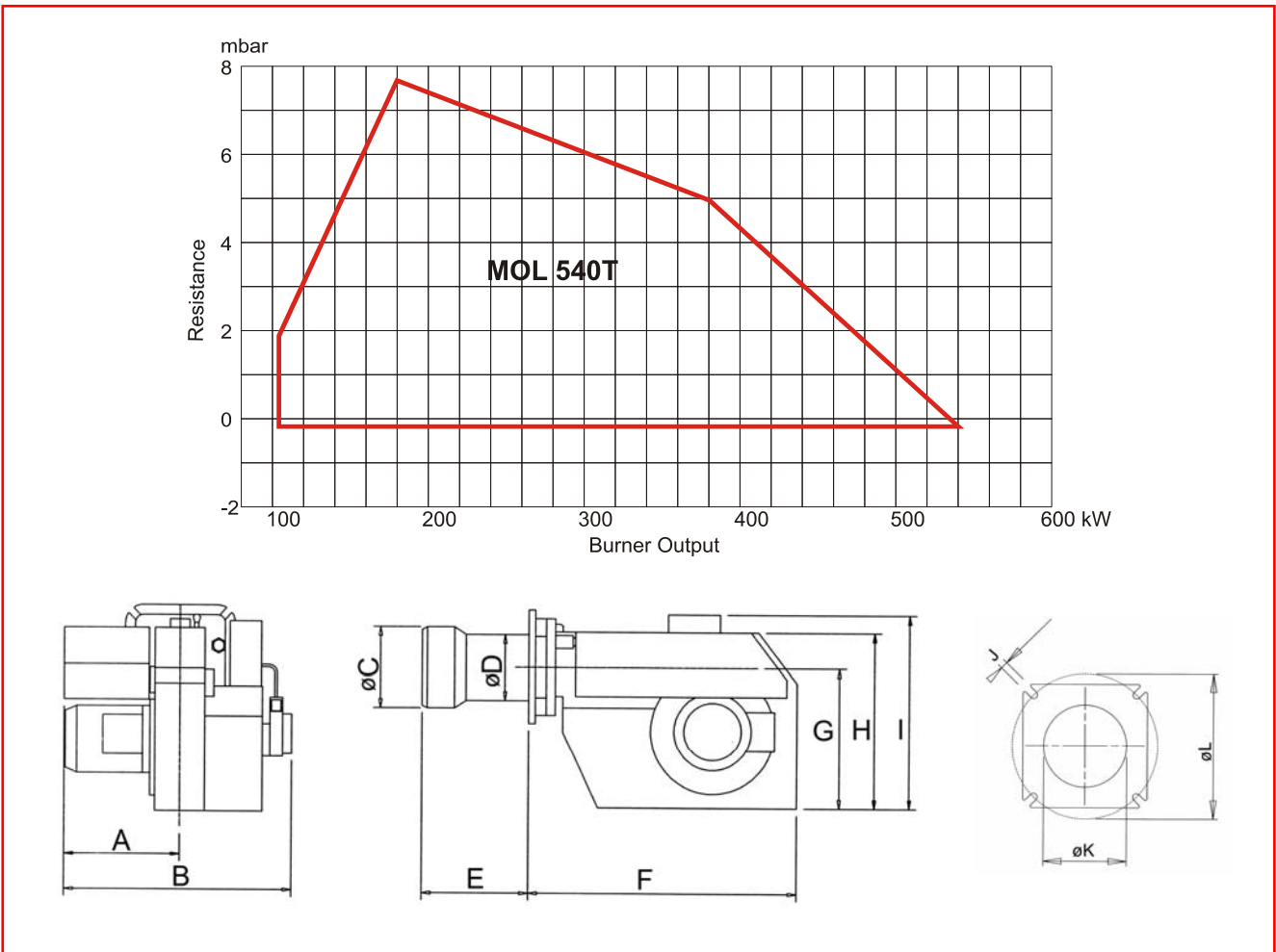
101-540 kW



- Energy saving and compatible with environmental requirements
- Quiet in operation and designed for easy maintenance
- Reliable and trouble-free
- Designed and approved in accordance with the European Standard EN 267
- Suitable for high resistance boilers
- Industry standard components easily available
- Designed for high/low operation
- Plug-in contact facilitates the installation
- With hydraulic air adjustment
- All kW ratings in nett CV

**NU-WAY**

<b>Type</b>	<b>MOL 540</b>	
<b>Capacity</b>	<b>kW</b>	<b>101-540</b>
<b>Motor</b>	<b>V/Hz</b>	<b>230/50</b>
	<b>W / A (Fuse)</b>	<b>450 / 10</b>
<b>Start / Run Current</b>	<b>Amps</b>	<b>12.0 / 3.3</b>
<b>Control box</b>	<b>Landis &amp; Staefa</b>	
<b>Fuel pump</b>	<b>Danfoss/Suntec</b>	
<b>2-Stage</b>	<b>•</b>	
<b>Gross weight</b>	<b>kg</b>	<b>34</b>
<b>Volume</b>	<b>m<sup>3</sup></b>	<b>0.22</b>



Burner	A	B	øC	øD	E*	F	G	H	I	J	øK	L
MOL 540T	262	515	162	134	240	480	252	328	335	14	134	200-260

\* Extended lengths Available

**PLASMA ENERGY CO.,LTD.**

98/13 MOO1 NAKORNIN RD. T.BANGKUWEANG  
A.BANGKRUAI.NONTHABURI 11130 (THAILAND)

Tel: (662) 449-4900 (Auto)

FAX: (662) 496-2247

e-mail :info@plasma-energy.co.th

website : http://www.plasma-energy.co.th