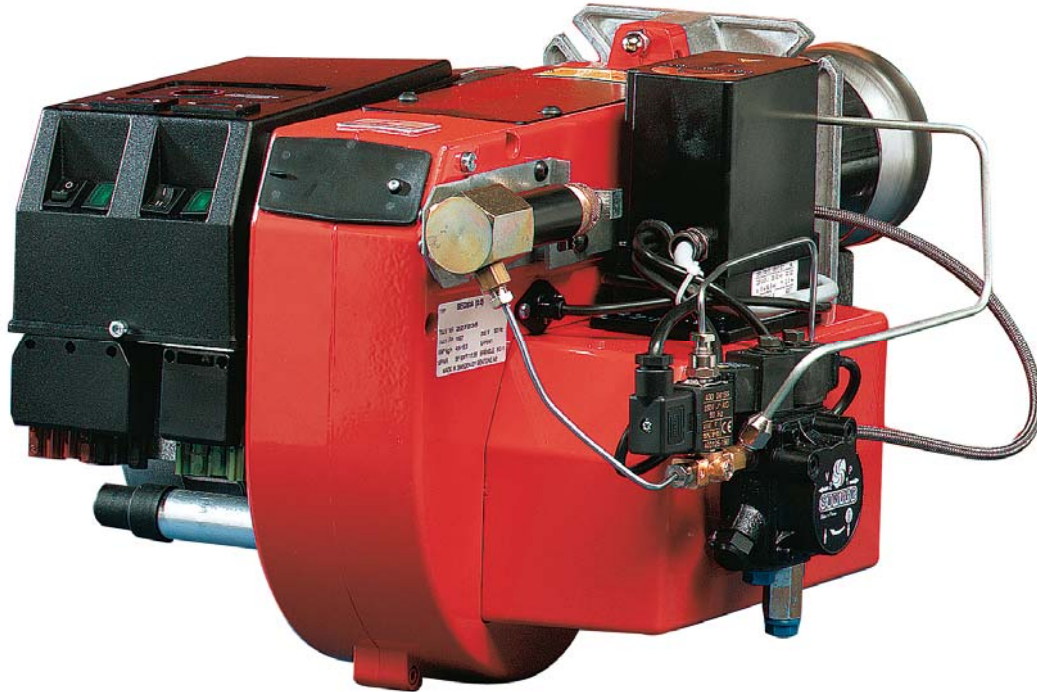


MOL 350 OIL BURNER

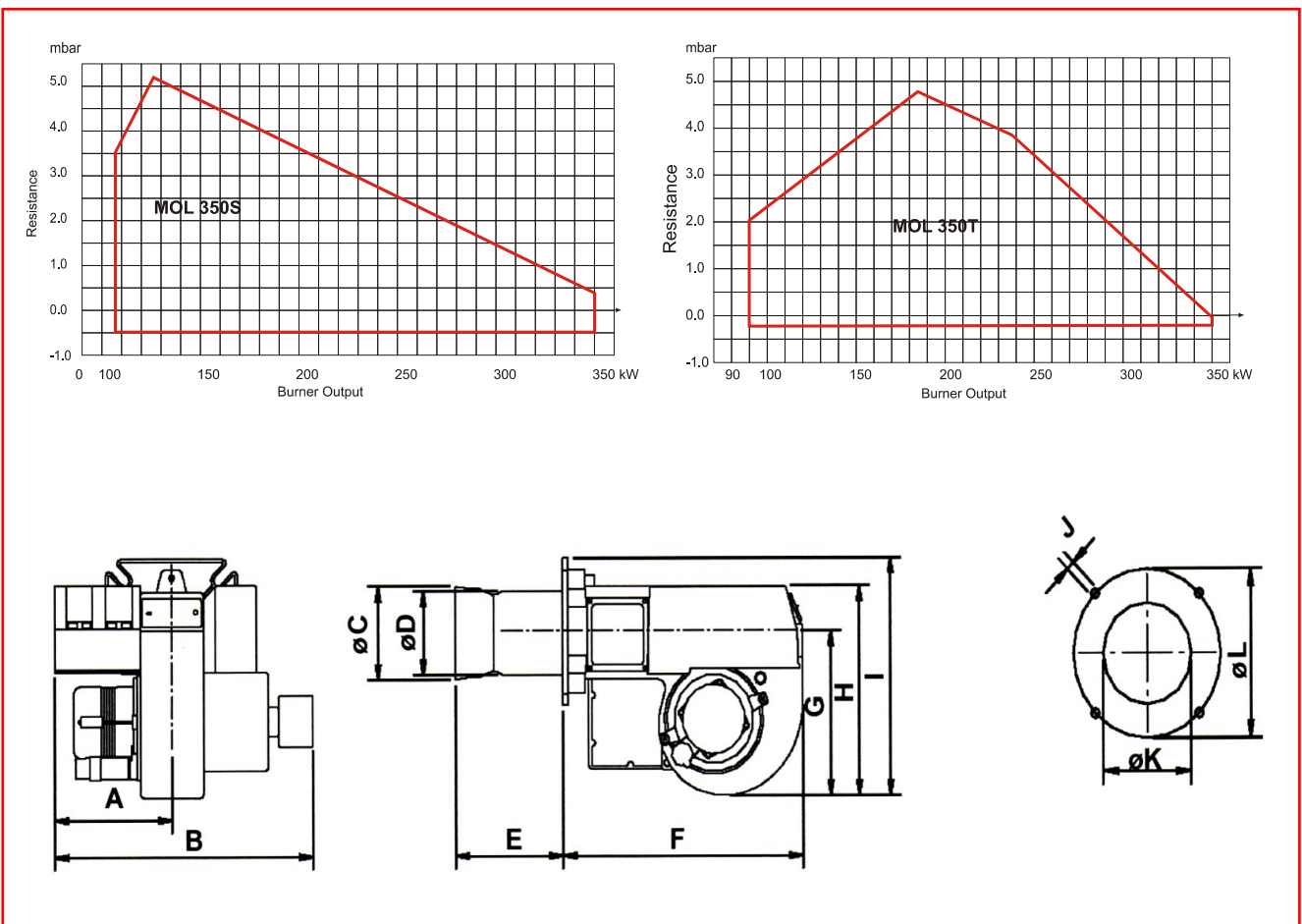
95 - 350 kW



- Energy saving and compatible with environmental requirements
- Quiet in operation and designed for easy maintenance
- Reliable and trouble-free
- Designed and approved in accordance with the European Standard EN 267
- Suitable for high resistance boilers
- Industry standard components easily available
- Designed for on/off and high/low operation
- Plug-in contact facilitates the installation
- With hydraulic air adjustment
- All kW ratings in nett CV

NU-WAY

Type		MOL 350 S1L	MOL 350 T1L
Capacity	kW	107-350	95-350
Motor	V/Hz kW / A (Fuse)	230/50 250 / 10	230/50 250 / 10
Start / Run Current	Amps	10.4 / 2.4	10.4 / 2.4
Control box		Landis & Staefa	Landis & Staefa
Fuel pump		Danfoss/Suntec	Danfoss/Suntec
2-Stage			•
Gross weight	kg	23	23
Volume	m ³	0.11	0.11



Burner	A	B	øC	øD	E*	F	G	H	I	J	øK	L
MOL 350 S1L	195	400	126	114	172	420	260	310	360	M12	135	200-230
MOL 350 T1L	207	435	130	114	174	420	260	310	360	M12	135	200-230

* Extended Lengths Available

PLASMA ENERGY CO.,LTD.

98/13 MOO1 NAKORNIN RD. T.BANGKUWEANG
A.BANGKRUI. NONTHABURI 11130 (THAILAND)
Tel: (662) 449-4900 (Auto)
FAX: (662) 496-2247
e-mail :info@plasma-energy.co.th
website : http://www.plasma-energy.co.th