

MOL 1175 OIL BURNER

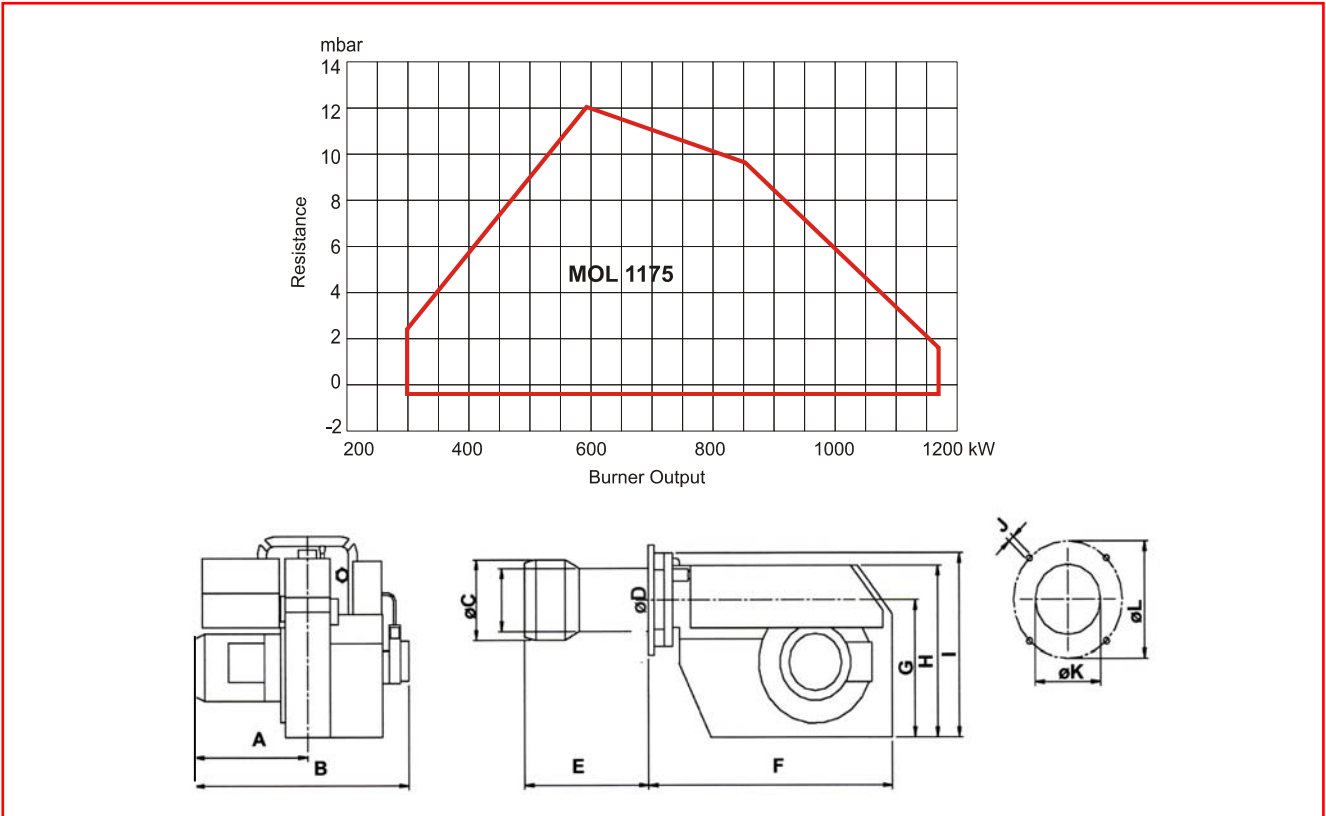
285 - 1174 kW



- Energy saving and compatible with environmental requirements
- Quiet in operation and designed for easy maintenance
- Reliable and trouble-free
- Designed and approved in accordance with the European Standard EN 267
- Suitable for high resistance boilers
- Industry standard components easily available
- Designed for 2 or 3 stage operation
- Plug-in contact facilitates the installation
- With hydraulic air or servo motor adjustment
- Optional diffuser plate optimiser
- All kW ratings are in nett CV

NU-WAY

Type	MOL 1175		
Capacity		kW	285-1174
Motor		V/Hz	400 / 50
		kW / A (Fuse) + A (control fuse)	1.5 / 3 x 16 + 6
Start / Run Current		Amps	14.5 / 2.9
Control box	Landis & Staefa		
Fuel pump	Danfoss		
Gross weight		kg	50
Volume		m³	0.30



Burner	A	B	øC	øD	E*	F	G	H	I	J	øK	L
MOL 1175	290	595	210	155	258	610	321	400	405	M12	(160) 215	254-295

* Extended Lengths Available

	2-nozzle	3-nozzle	Servo motor	Hydraulic air regulation	Diffuser plate optimoser
MOL 1175-2	•		•		
MOL 1175-2H	•			•	
MOL 1175-3R		•	•		•

PLASMA ENERGY CO.,LTD.

98/13 MOO1 NAKORNIN RD. T.BANGKUWEANG
A.BANGKRUI. NONTABURI 11130 (THAILAND)
Tel: (662) 449-4900 (Auto)
FAX: (662) 496-2247
e-mail :info@plasma-energy.co.th
website : http://www.plasma-energy.co.th